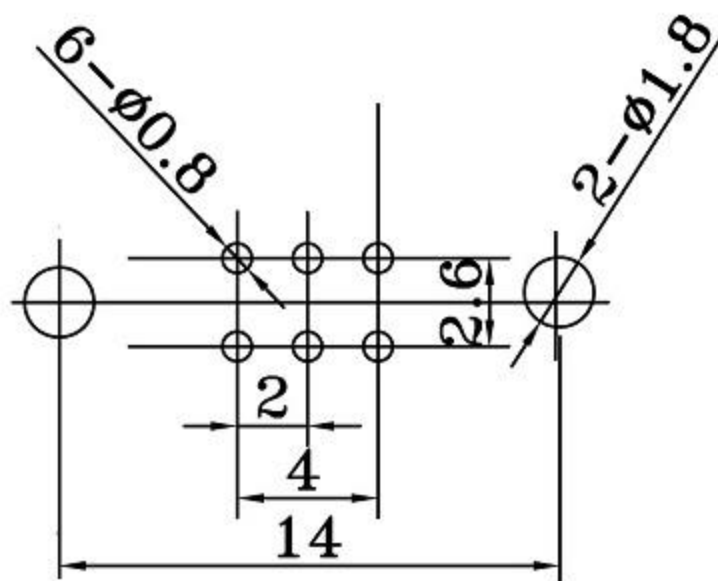
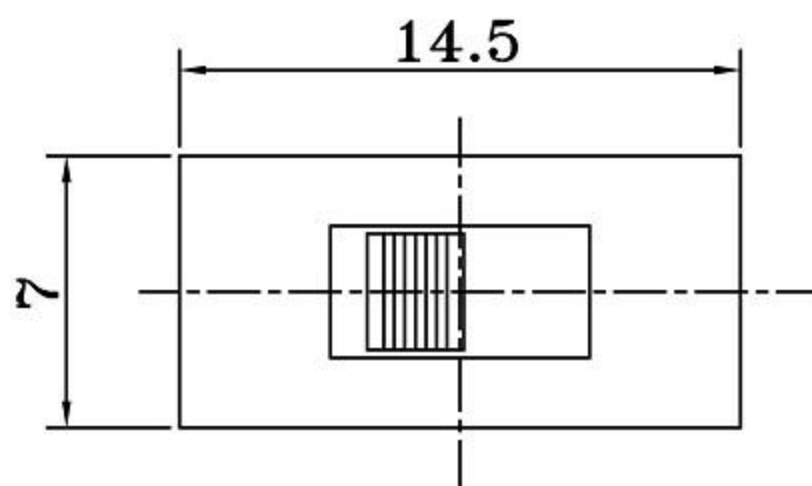
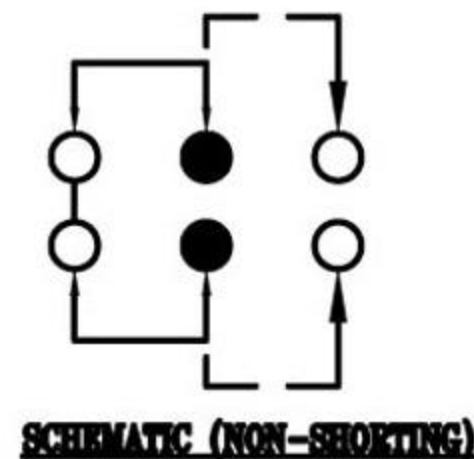
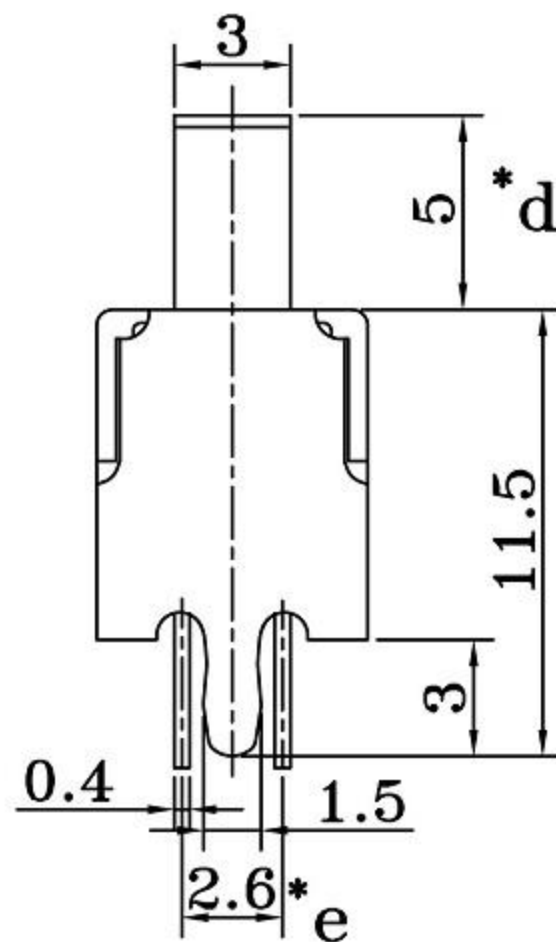
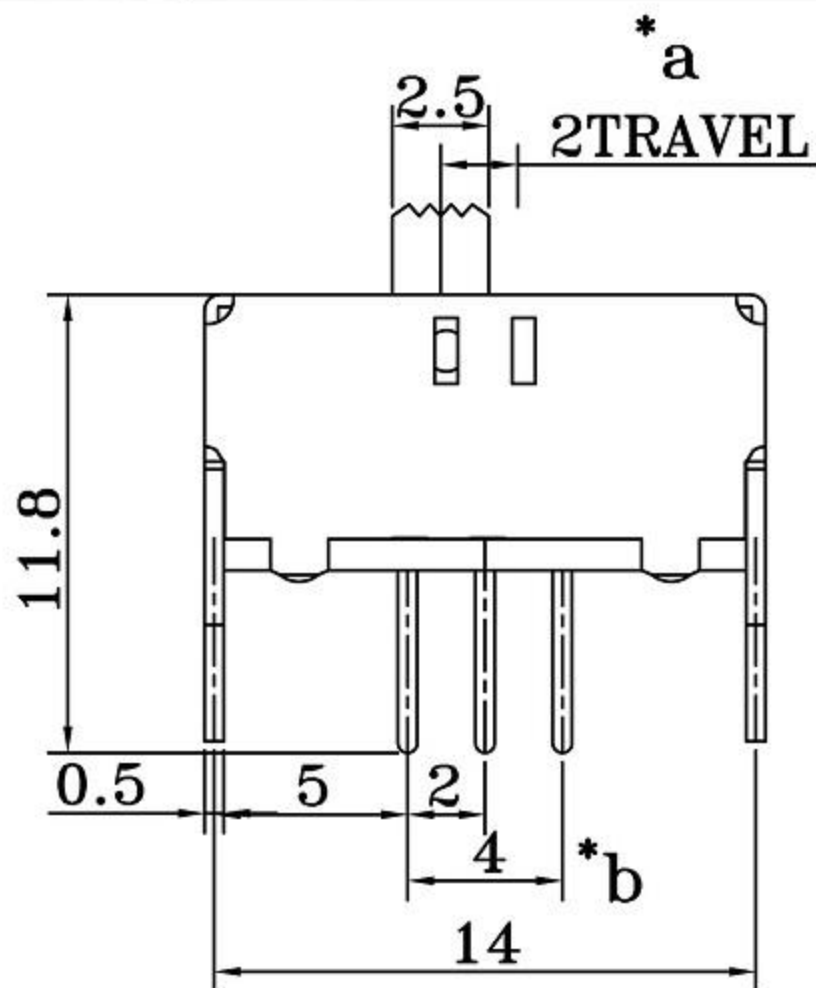


CAD FILE:



拨动开关立式技术参数:

1. 额定负荷: DC 30V 50V 0.3A 0.5A
2. 接触阻抗:  $\leq 50\text{m}\Omega$
3. 绝缘阻抗:  $\geq 100\text{m}\Omega$  DC500V
4. 耐焊温度:  $250 \pm 5^\circ$  5s
5. 使用寿命: 10,000 cycles
6. 使用温度:  $-25^\circ\text{C}$  to  $80^\circ\text{C}$
7. 使用湿度:  $\leq 85\%$  RH
8. 操作力: 160gf 256gf 300gf 可定制
9. 手柄长度: 2mm-10mm 可定制

注: "\*"表示关键尺寸(6个)

| NO. | PARTS        | MATERIALS      | Q'TY | FINISH    | TOLERANCE UNLESS SPECIFIED |       | TITLE : VERTICAL SLIDE SWITCH |                          | UNIT : mm | DRWG NO.:  |
|-----|--------------|----------------|------|-----------|----------------------------|-------|-------------------------------|--------------------------|-----------|------------|
| 8   |              |                |      |           | WITHIN                     | A     | 2012-10-28                    | 初版                       |           |            |
| 7   | STEEL BALL   | STEEL          | 1    | NATURAL   | OVER                       | ISSUE | DATE                          | DESCRIPTIONS OF REVISION |           | APPD.      |
| 6   | SPRING       | STEEL WIRE     | 1    | NATURAL   | MODEL:                     |       | SCALE: 3:1                    |                          |           |            |
| 5   | CONTACT CLIP | PBS STRIP      | 2    | Ag PLATED | 东莞市高迪电子有限公司                |       |                               |                          | DWN.      | 2012-10-26 |
| 4   | TERMINAL     | BRASS STRIP    | 8    | Ag PLATED |                            |       | APPD.                         | 2012-10-26               |           |            |
| 3   | BASE         | PHENOLIC RESIN | 1    | NATURAL   |                            |       |                               |                          |           |            |
| 2   | FRAME        | STEEL STRIP    | 1    | Ni PLATED |                            |       |                               |                          |           |            |
| 1   | KNOB         | POM            | 1    | BLACK     |                            |       |                               |                          |           |            |